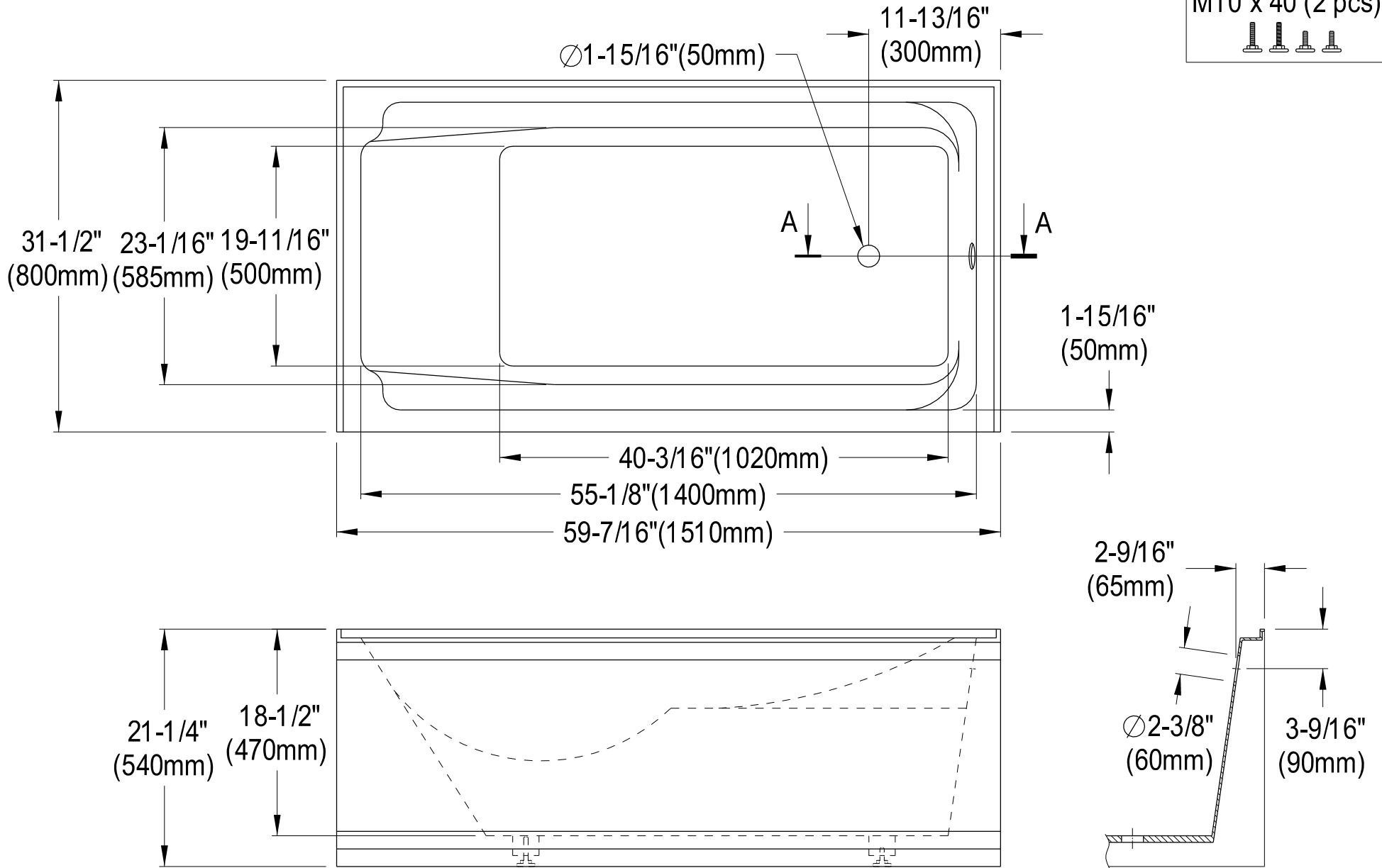
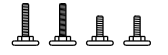


VTDE603221R

60" Acrylic Tub With Right Drain & Overflow Hole

M10 x 65 (2 pcs)
M10 x 40 (2 pcs)



Section A-A

Ref# VTDE603221R | 2016-07-C